

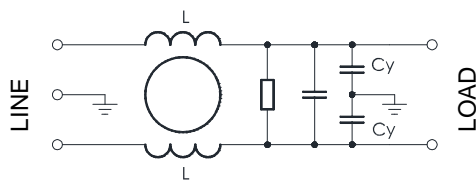
1 Features

- Specially designed for home appliance industry, compact, easy to install
- SEMKO, UL, CQC approved, customization accepted
- Widely used for white goods, such as washing machine, dishwasher, dryer, refrigerator, air-conditioner. Also it can be used for cooking equipment.

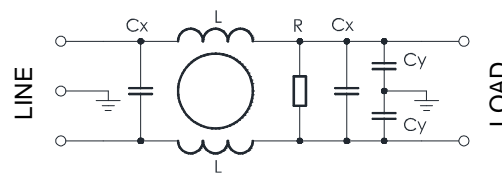
2 Technical Data

Type	Rated Voltage	Rated Current	Hi-Pot Test Voltage		Dimension
			Line-Line	Line-Ground	
DNF06-T(ABAA)	250V/50~60Hz	16A	1800VDC,2s	1800VAC,2s	A
DNF06-T(RBDF)	250V/50~60Hz	16A	1500VDC,2s	1500VAC,2s	F
DNF06-Z(ZNZE)	250V/50~60Hz	/	/	1500VAC,2s	E
DNF06-P(ABFH)	250V/50~60Hz	10A	1625VDC,2s	1800VAC,2s	H
DNF06-T(ANDJ)	250V/50~60Hz	16A	1500VDC,2s	1500VAC,2s	J
DNF06-Z(CGZK)	250V/50~60Hz	/	1500VDC,2s	1500VAC,2s	K
DNF06-Z(AFZM)	250V/50~60Hz	/	1800VDC,2s	1800VAC,2s	M
DNF06-Z(PGZQ)	250V/50~60Hz	/	1625VDC,2s	1500VAC,2s	Q
DNF06-Z(DFZV)	250V/50~60Hz	/	1800VDC, 2s	1800VAC,2s	V
DNF06-Z(DZZW)	250V/50~60Hz	/	1500VDC,2s	1500VAC,2s	W
DNF06-T(GJBX)	250V/50~60Hz	16A	1075VDC,2s	1800VAC,2s	X

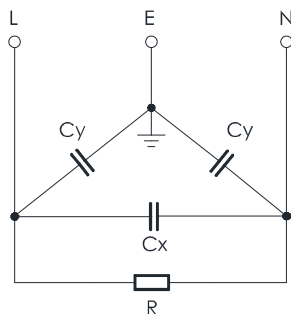
3 Electrical Schematic



3.1 L type



3.2 π type



3.3 RC only

## 4 Code explanation

$$\text{DNF06-} \frac{*}{1} \left( \frac{*}{2} \frac{*}{3} \frac{*}{4} \frac{*}{5} \frac{*}{6} \right)$$

1- Basic Catalog number

2- Rated Current

Suffix	M	N	O	P	Q	R	S	T	Z
Rated Current (A)	≤3	5	8	10	12	12.5	13	≥16	0

3- Letter that identifies the capacitors values X

Suffix	A	B	C	D	E	F	G
μF	0.47	0.22	0.15(X1、X2)	0.1			0.68(X1)
	0.22+0.22				0.33+0.33	0.47+0.47	
Suffix	H	I	J	K	L	M	N
μF	0.22 (X1)	0.47(X1)	1.0(X1、X2)	0.47(X1)	0.022	0.33	0.047
Suffix	O	P	Q	R	S	T	U
μF		0.1(X1)					
	2×1+1		0.47+0.47(X1)	0.47+0.68	0.47+0.68(X1)	0.47+0.33	1+0.47
Suffix	V	W	X	Y	Z		
μF	1.5(X1)	0.33+1(X1)			0		
		0.33+0.68	0.68+0.68				

Note: Capacitors without marking is X2 category

4- Letter that identifies the capacitors values Y

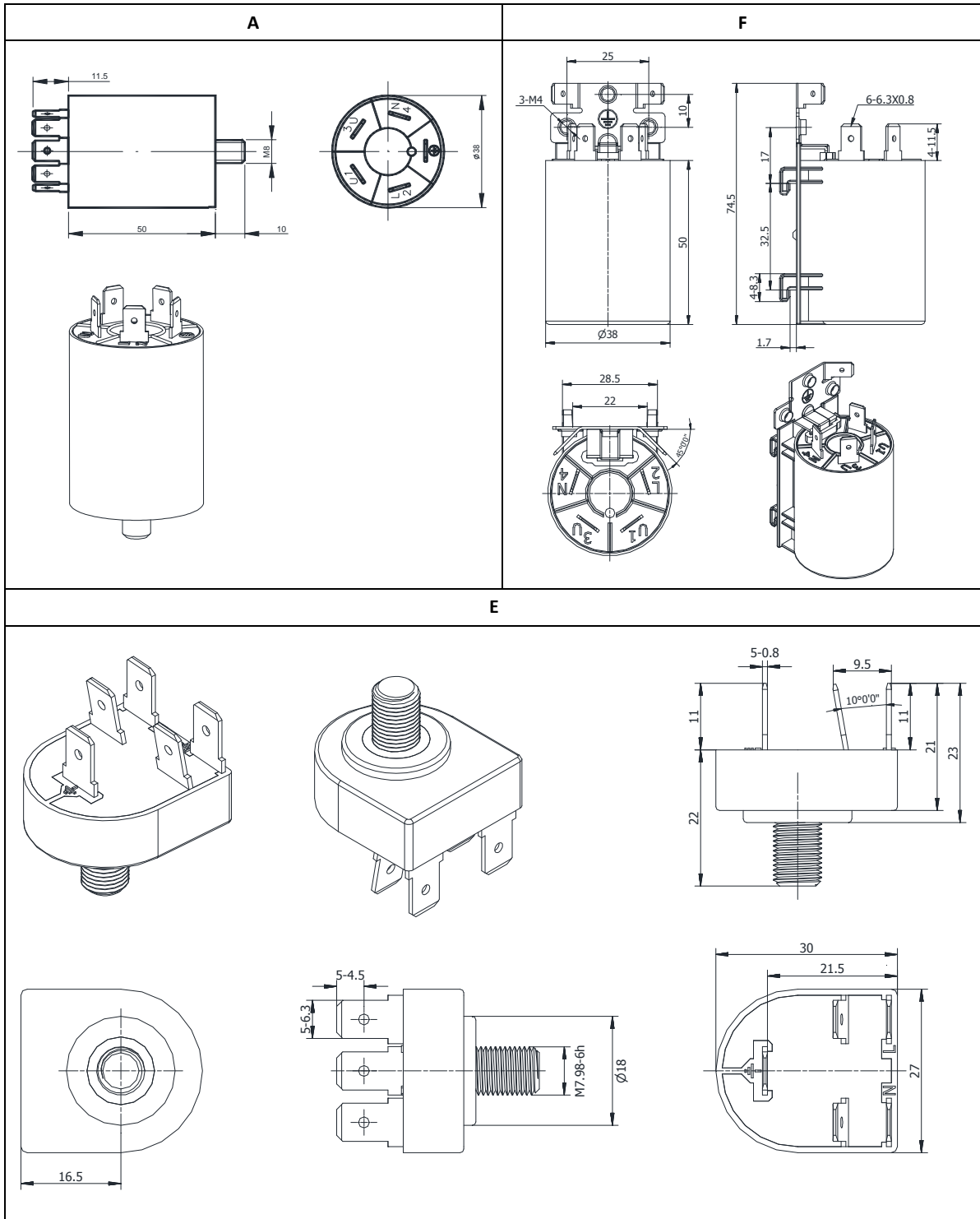
Suffix	A	B	C	D	E	F	G
nF	4.7	10	15	22		25	27
Suffix	H	I	J	K	L	M	N
nF	2.2(Y1,Y2)	47	1	1(Y1)	6.8	10	3.3
Suffix	O	P	Q	R	S	Z	
nF	9.4	4.7(Y1)	3.3	2.7	5.0	0	

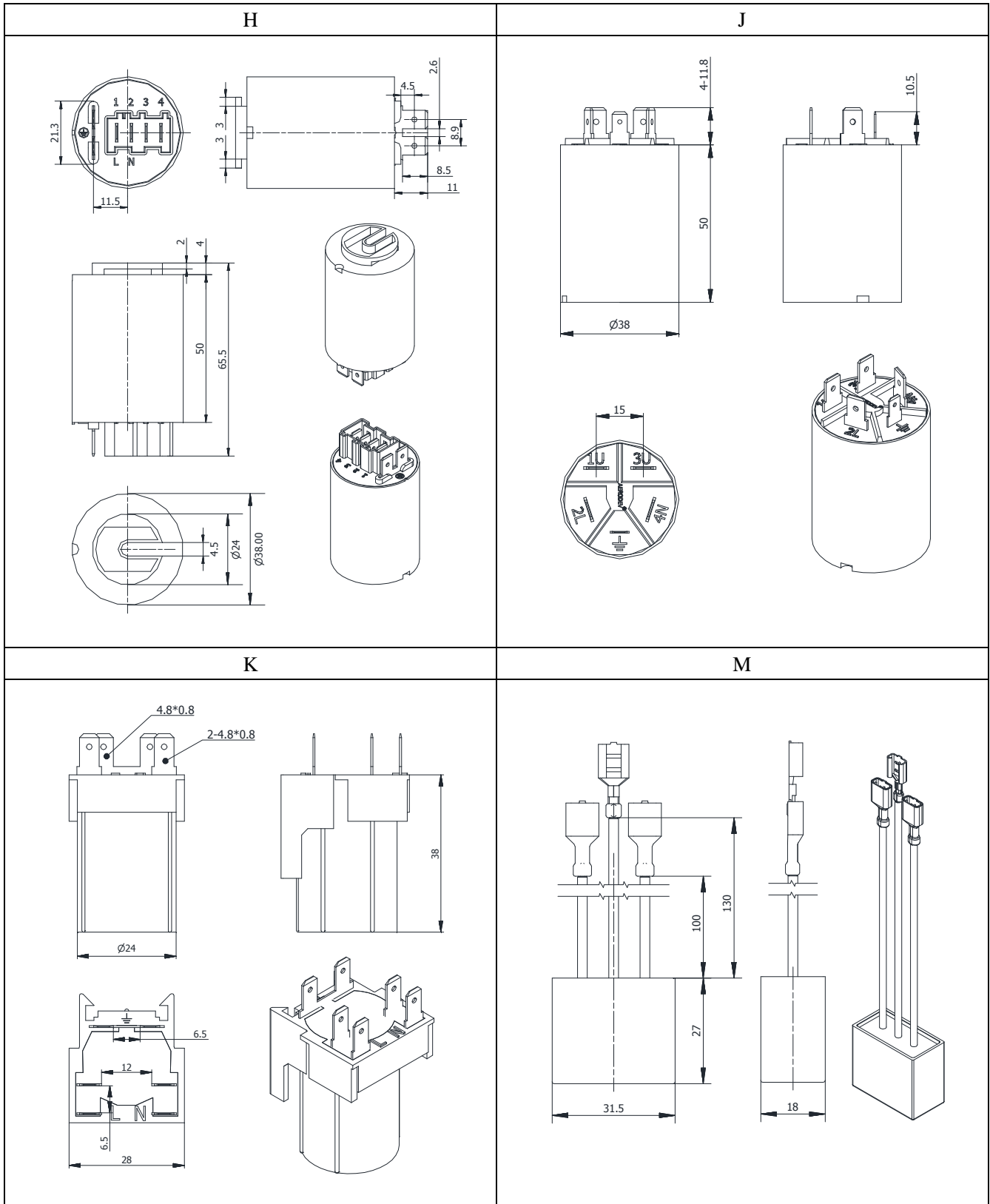
Note: Capacitors without marking is Y2 category

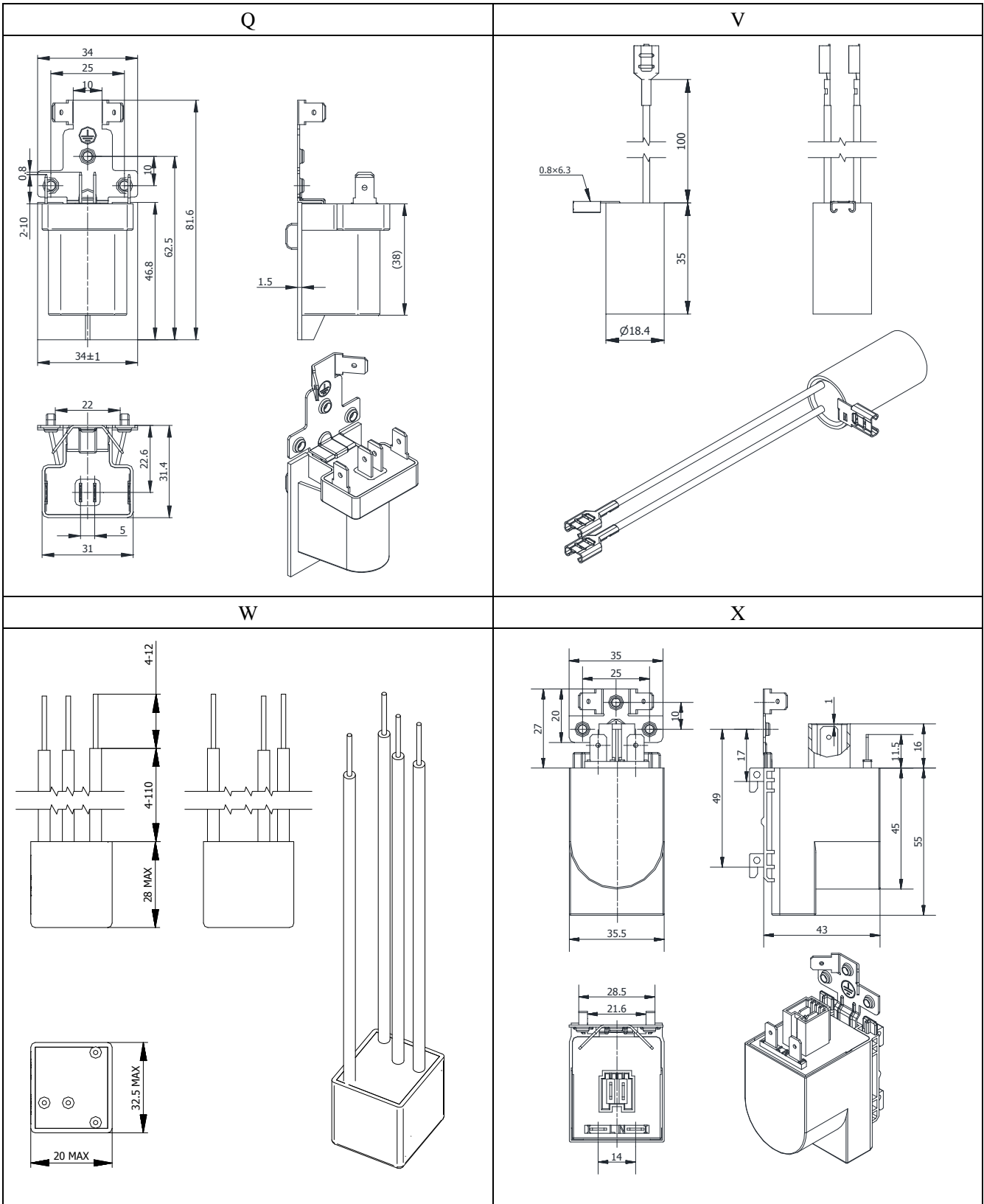
5- Letter that identifies the inductance value

Suffix	A	B	C	D	E	F	G
mH	0.5	1	1.5	2	2.5	1.8	3.3
Suffix	H	I	J	K	L	M	N
mH	4.5	8	3	1.75	5	6	4
Suffix	O	P	Q	R	S	T	U
mH							
Suffix	V	W	X	Y	Z		
mH					0		

6- Letters that identifies the typical dimensions







**5 Installation Instructions**

- 1 ) Good electrical connection is needed between filter casing and equipment shell.
- 2 ) Connecting the filter's input and output according to the provision on the label of LINE and LOAD.
- 3 ) The input wiring and the output wiring should be strictly separated, cannot be bundled together.