

## DNF51

### Features:

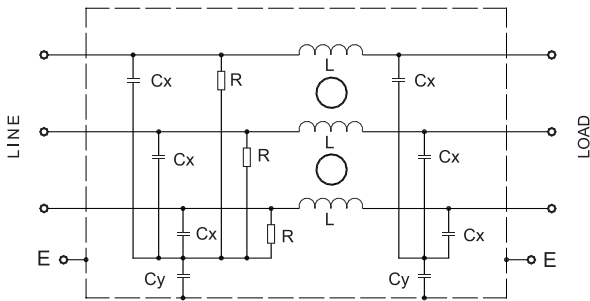
- 3-phase 3-wire or 3-phase 4-wire EMI filters
- Suppressing EMI in a wide frequency range



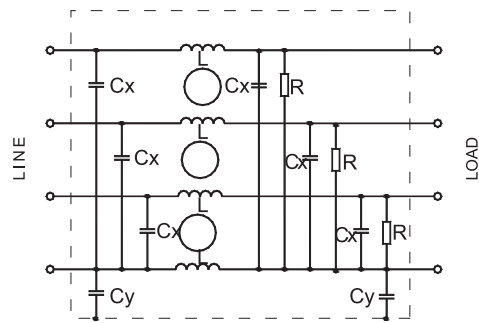
### Main Parameters ▼

Part Number	Rated Voltage	Rated Current	Test Voltage		IEC Climatic Category	Cx (μF) ±10%	Cy (nF) ±20%	L (mH) -30% ~+50%	R (MΩ) ±10%	Leakage Current 250V~50Hz
			Line-to-Line	Line-to-Ground						
DNF51-3PH-3x16A	440V~50/60Hz	16A	1800VDC,2s	2000V~50/60Hz,2s	25/085/21	1.0	4.7	1.2	1.0	<2.0mA
DNF51-Y-3x20A	440V~50/60Hz	20A	1800VDC,2s	2000V~50/60Hz,2s	25/085/21	1.0	4.7	1.2	1.0	<2.0mA
DNF51-3PH-3x30A	440V~50/60Hz	30A	1800VDC,2s	2000V~50/60Hz,2s	25/085/21	1.0	4.7	1.4	1.0	<2.0mA
DNF51-3PH-4x16A	440V~50/60Hz	16A	1800VDC,2s	2000V~50/60Hz,2s	25/085/21	1.0	4.7	1.2	1.0	<2.0mA
DNF51-3PH-4x20A	440V~50/60Hz	20A	1800VDC,2s	2000V~50/60Hz,2s	25/085/21	1.0	4.7	1.2	1.0	<2.0mA
DNF51-3PH-4x30A	440V~50/60Hz	30A	1800VDC,2s	2000V~50/60Hz,2s	25/085/21	1.0	10	1.2	1.0	<3.0mA

### Electrical Schematic ▼

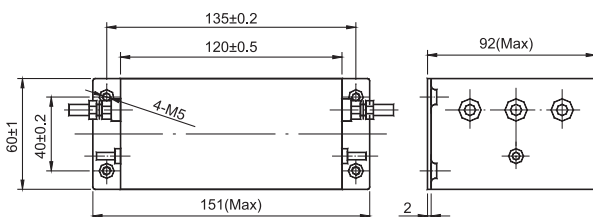


DNF51-3PH-3x16A DNF51-3PH-3x30A DNF51-Y-3x20A



DNF51-3PH-4x16A DNF51-3PH-4x20A DNF51-3PH-4x30A

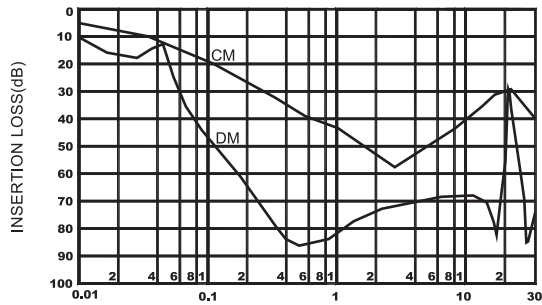
### Dimensions (Unit: mm) ▼



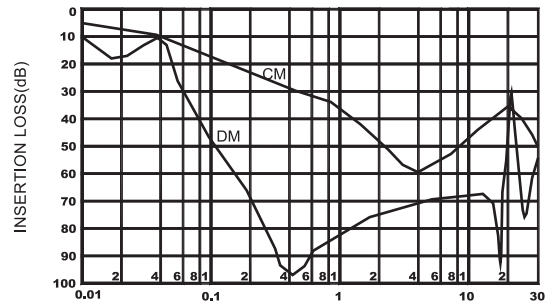
- DNF51-3PH-3x16A
- DNF51-3PH-3x30A
- DNF51-Y-3x20A
- DNF51-3PH-4x20A
- DNF51-3PH-4x30A
- DNF51-3PH-4x16A

Typical Insertion Losses  
In 50Ω system

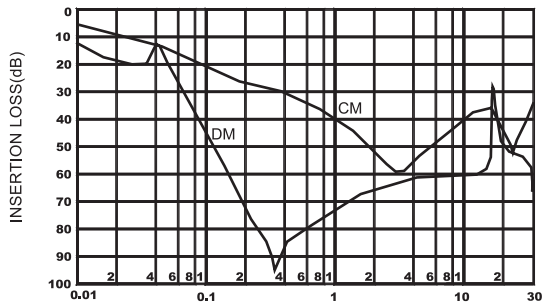
## DNF51



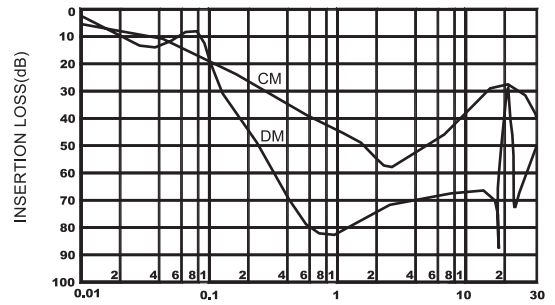
FREQUENCY (MHz)  
DNF51-3PH-3x16A



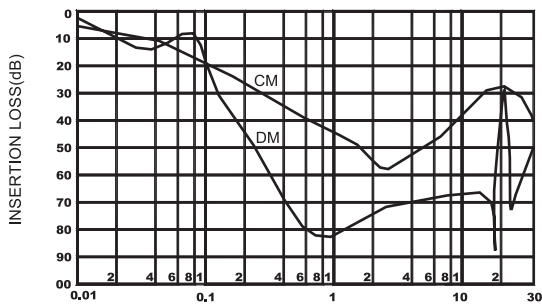
FREQUENCY (MHz)  
DNF51-Y-3x20A



FREQUENCY (MHz)  
DNF51-3PH-3x30A



FREQUENCY (MHz)  
DNF51-3PH-4x16A/ DNF51-3PH-4x20A



FREQUENCY (MHz)  
DNF51-3PH-3x30A