

DNF52

Features:

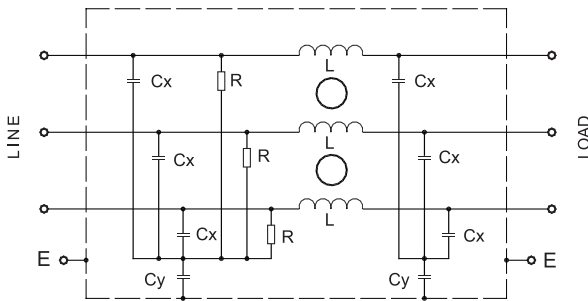
- 3-phase 3-wire or 3-phase 4-wire EMI filters
- Suppressing EMI in a wide frequency range



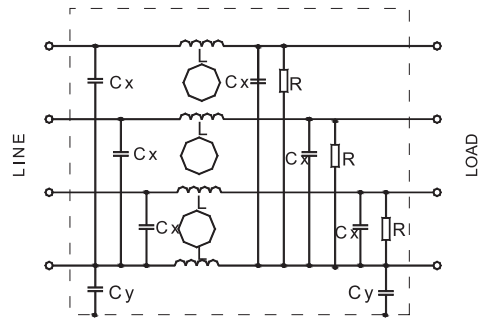
Main Parameters

Part Number	Rated Voltage	Rated Current	Test Voltage		IEC Climatic Category	Cx (μ F) $\pm 10\%$	Cy (nF) $\pm 20\%$	L (mH) -30% ~+50%	R (M Ω) $\pm 10\%$	Leakage Current 250V~50Hz
			Line-to-Line	Line-to-Ground						
DNF52-3PH-3x35A	440V~50/60Hz	35A	1800VDC,2s	2000V~50/60Hz,2s	25/085/21	2	10	1.3	0.68	<3.0mA
DNF52-3PH-3x50A	440V~50/60Hz	50A	1800VDC,2s	2000V~50/60Hz,2s	25/085/21	2	10	0.8	1.0	<3.0mA
DNF52-3PH-4x35A	440V~50/60Hz	35A	1800VDC,2s	2000V~50/60Hz,2s	25/085/21	2	14.1	1.0	0.68	<6.0mA
DNF52-3PH-4x40A	440V~50/60Hz	40A	1800VDC,2s	2000V~50/60Hz,2s	25/085/21	2.2	14.1	1.0	1.0	<6.0mA
DNF52-3PH-4x50A	440V~50/60Hz	50A	1800VDC,2s	2000V~50/60Hz,2s	25/085/21	2	10	0.6	1.0	<3.0mA

Electrical Schematic

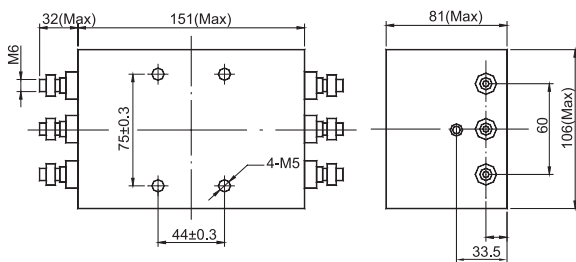


DNF52-3PH-3x35A DNF52-3PH-3x50A

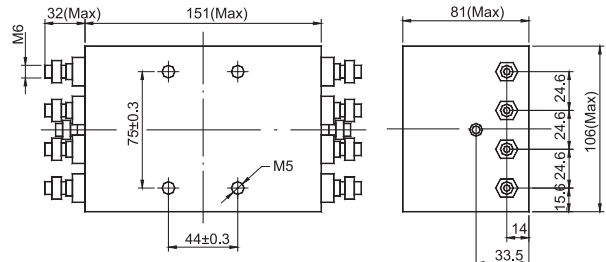


DNF52-3PH-4x35A DNF52-3PH-4x40A DNF52-3PH-4x50A

Dimensions (Unit: mm)



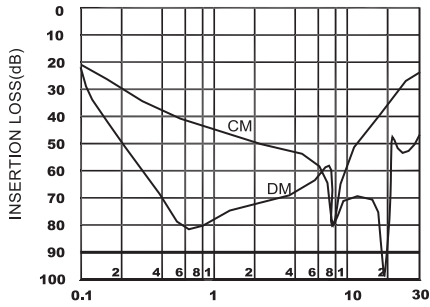
DNF52-3PH-3x35A DNF52-3PH-3x50A



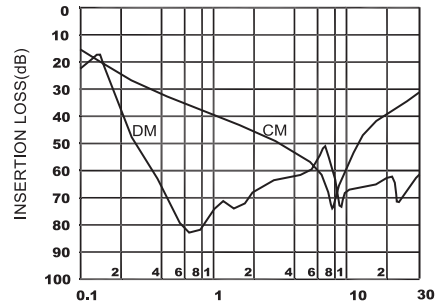
DNF52-3PH-4x35A DNF52-3PH-4x40A DNF52-3PH-4x50A

Typical Insertion Losses
In 50Ω system ▼

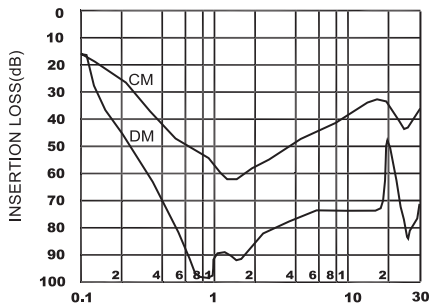
DNF52



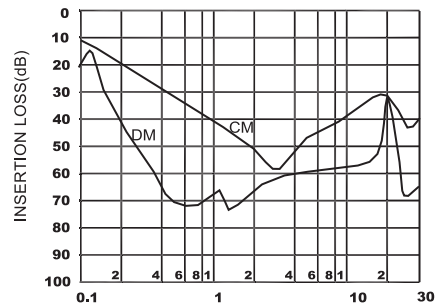
FREQUENCY (MHz)
DNF52-3PH-3x35A



FREQUENCY (MHz)
DNF52-3PH-3x50A



FREQUENCY (MHz)
DNF52-3PH-4x35A



FREQUENCY (MHz)
DNF52-3PH-4x40A/ DNF52-3PH-4x50A