

DNF55

Features:

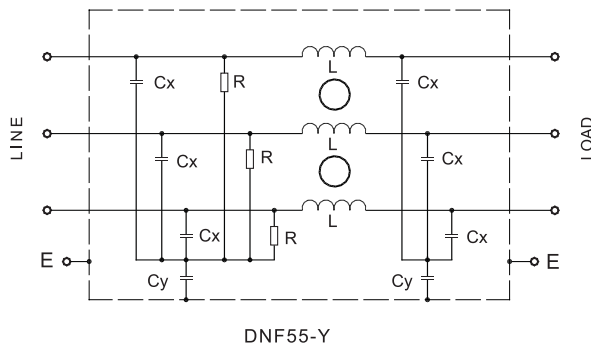
- ☛ 3-phase 3-wire or 3-phase 4-wire EMI filters
- ☛ Suppressing EMI in a wide frequency range
- ☛ Heavy current can be made if demanded



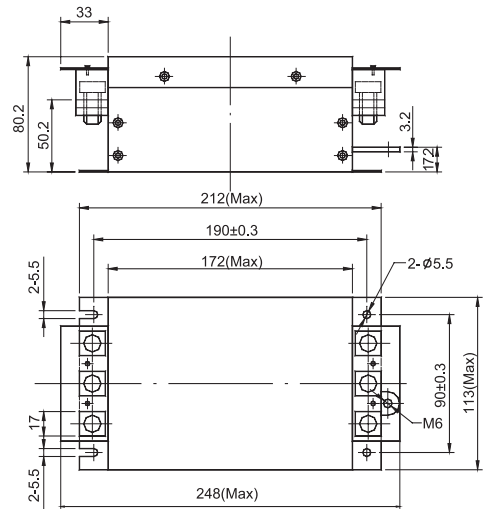
Main Parameters ▼

Part Number	Rated Voltage	Rated Current	Test Voltage		IEC Climatic Category	Cx (μF) ±10%	Cy (nF) ± 20%	L (mH) -30% ~+50%	R (MΩ) ±10%	Leakage Current 250V~50Hz
			Line-to-Line	Line-to-Ground						
DNF55-Y-3x40A	440V~50/60Hz	40A	1800VDC,2s	2000V-50/60Hz,2s	25/085/21	0.47	4.7	0.5	3.3	<2.0mA
DNF55-Y-3x60A	440V~50/60Hz	60A	1800VDC,2s	2000V-50/60Hz,2s	25/085/21	0.47	4.7	0.5	3.3	<2.0mA
DNF55-Y-3x80A	440V~50/60Hz	80A	1800VDC,2s	2000V-50/60Hz,2s	25/085/21	0.47	4.7	0.5	3.3	<2.0mA

Electrical Schematic ▼



Dimensions (Unit: mm) ▼



Typical Insertion Losses In 50Ω system ▼

