

FILTERS

DNF60

Features:

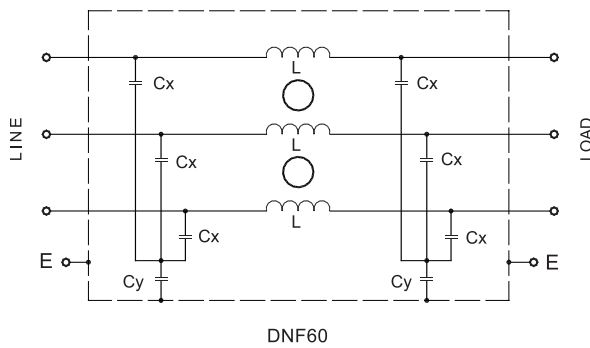
- ☞ Good performance of suppressing EMI in a wide frequency range
- ☞ 3-phase 3-wire for 440V/ 50 ~ 60Hz power supply system
- ☞ 3-phase 4-wire can be made if demanded



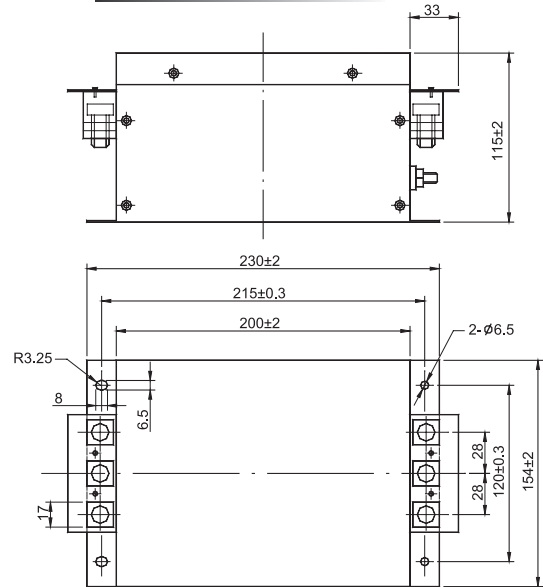
Main Parameters ▼

Part Number	Rated Voltage	Rated Current	Test Voltage		IEC Climatic Category	Cx (μ F) $\pm 10\%$	Cy (nF) $\pm 20\%$	L (mH) -30% ~+50%	R (M Ω) $\pm 10\%$	Leakage Current 250V~50Hz
			Line-to-Line	Line-to-Ground						
DNF60-Y-3x100A	440V~50/60Hz	100A	1800VDC,2s	2000V~50/60Hz,2s	25/085/21	/	/	/	/	<3.0mA

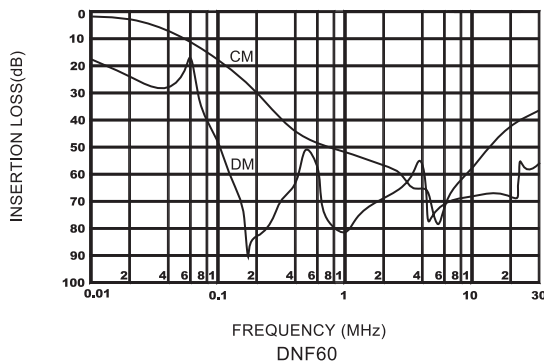
Electrical Schematic ▼



Dimensions (Unit: mm) ▼



Typical Insertion Losses In 50 Ω system ▼



DNF60